

Ambient & Emergency index

AMBIENT



> 350 AND 450



> SYL-SAFE IP65 SURFACE



> SYL-SAFE IP65
SEMI RECESSED

EMERGENCY



> SYL-SAFE IP65
SUSPENDED SIGN



> SYL-SAFE SURFACE

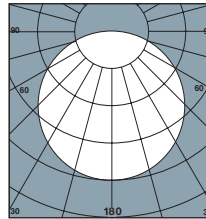


> SYL-SAFE SUSPENDED

Ambient 350 and 450



2D TC-DD 28W 38W



Wattages	DLOR	ULOR
TC 1x28	0.44	0.01
TC 1x38	0.44	0.01



- > Slim profile
- > Ceiling or Wall mounted
- > High Frequency ballast.
- > Integral Emergency
- > Suitable for defined escape routes
- > Complete with 2D lamp

Description

White painted housing, Opal polycarbonate diffuser to optimise light distribution. Integral 3 hour maintained emergency.

Applications

Designed for interior ceiling or wall mounted applications for commercial and industrial locations. Suitable for defined escape routes.

Ambient 350 Dia	230/240v	Integral Emergency
28W 2D white	4065293	4065294

Ambient 450 Dia	230/240v	Integral Emergency
38W 2D white	4065295	4065296

Emergency lighting spacing table .2lux

Mounting height	2m	2.5m	3m	4m	6m
Transverse - transverse	12.13	13.39	14.51	16.36	19.02
Axial - axial	12.17	13.42	14.53	16.36	19.00
Transverse - axial	12.14	13.40	14.51	16.36	19.00
Transverse to wall	5.00	5.50	5.92	6.59	7.38
Axial to wall	5.01	5.50	5.92	6.59	7.38

Minimum illuminance 0.2lux. Maintenance factor 0.8.

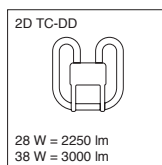
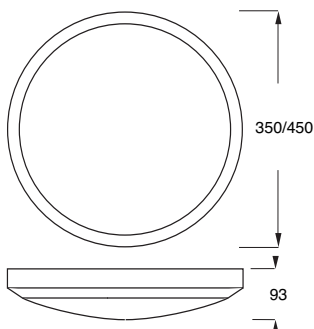
Maximum permitted spacing for given mounting heights above floor level (metres)

Emergency lighting spacing table 1lux

Mounting height	2m	2.5m	3m	4m	6m
Transverse - transverse	7.65	8.30	8.82	9.42	9.42
Axial - axial	7.65	8.30	8.80	9.42	9.41
Transverse - axial	7.64	8.30	8.81	9.42	9.41
Transverse to wall	3.06	3.25	3.36	3.38	2.36
Axial to wall	3.06	3.25	3.36	3.37	2.36

Minimum illuminance 1lux. Maintenance factor 0.8.

Maximum permitted spacing for given mounting heights above floor level (metres)



Syl-Safe IP65



SUSPENDED SIGN KIT



RECESSING KIT



- > IP65 Polycarbonate body.
- > Clear Fresnel lens.
- > 100lm output.
- > Ceiling or Wall mounted.
- > Interior or Exterior.
- > Self Test Luminaires available to order.
- > Recessing kit.
- > Suspended sign kit.

Description

White flame retardant body and lens impact resistant. Hinged gear tray for ease of installation and maintenance.

Applications

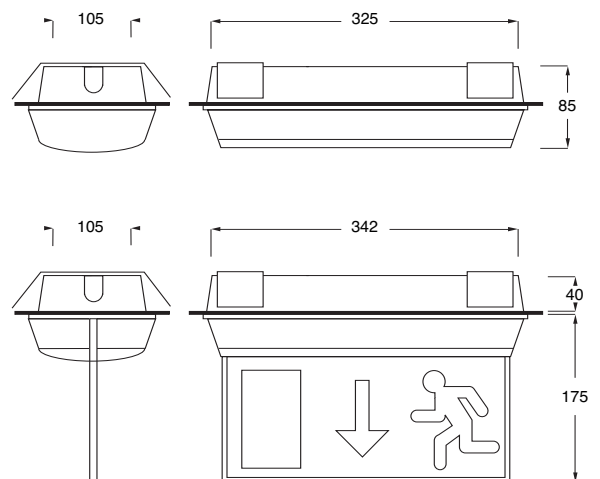
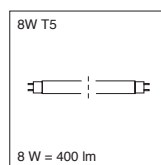
Designed for indoor or outdoor applications for commercial and industrial locations. Suitable for defined escape routes.

Syl-Safe. IP65 T5 8W	Non-maintained 9136512	Maintained 9136514
Syl-Safe. IP65 Self Test T5 8W	Non-maintained 9136513	Maintained 9136515
Recessing Kit		9136516
Suspended sign kit	Single sided	Double sided
Arrow down	9137000	9137003
Arrow left	9137001	9137004
Arrow right	9137002	9137005

specification

Operation	Non-Maintained	Maintained	Mains only
Light source	1 x 8Watt T5		
Construction standard	Grey polycarbonate base and clear fresnel lens		
Light output (emergency standard)	-	100lm	400lm
Battery standard	2.4V 4AH NiCd		
Charge current	250mA normal		
Recharge period	24hours (14hrs for 1hr duration)		
Input voltage	230Volt +/-10% ~ 50Hz		
Power	9VA (max.)	21VA (max.)	13VA

Mounting height Hm (m) to wall	Trans. to trans	Trans. to trans	Axial to trans	Axial to Axial	Axial to wall	
2.5	2.0	6.9	6.1	3.6	1.1	1Lux min.
4.0	1.5	5.7	5.3	3.4	0.5	at centre
2.5	3.4	9.7	8.0	5.2	1.7	0.5Lux min.
4.0	2.5	9.5	7.8	5.0	1.0	(open)



Cut-out size 343 x 116

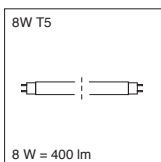
Syl-Safe Surface & Suspended



FLUSH MOUNTED EXIT



- > Slimline white steel housing.
- > Wall or flush ceiling mounted.
- > Interior IP20 applications.
- > Self Test Luminaires available to order.



Description

White painted metal housings. Silk screened legend panels. Supplied arrow down as standard.

specification

Operation	Non-Maintained	Maintained	Mains only
Light source	1 x 8Watt T5		
Constuction	Steel enclosure and geartray with screen printed polycarbonate legend panel		
Light output (mains)	-	100lm	400lm
Light output (emergency)	400lm	100lm	-
Battery	2.4V 4AH NiCd		
Charge current	250mA normal		
Recharge period	24hours (14hrs for 1hr duration)		
Imput voltage	230Volt +/-10% ~ 50Hz		
Power	9VA (max.)	21VA (max.)	13VA



WALL MOUNTED EXIT

Applications

Designed for interior applications for commercial and industrial applications.

Wall Mounted Exit	Non-maintained	Maintained
T5 8W	9136522	9136524

Wall Mounted Exit Self Test	Non-maintained	Maintained
T5 8W	9137011	9137012

Fush Mounted Exit	Non-maintained	Maintained
T5 8W	9137006	9137007

Fush Mounted Exit Self Test	Non-maintained	Maintained
T5 8W	9137008	9137010

Standard exit signs supplied with 'Arrow down' legend. Order left or right legends if required.

Wall Mounted Exit Sign Legend

Legend only arrow left	9137834
Legend only arrow right	9137835

Flush Mounted Exit Sign Legend

Legend only arrow left	9137832
Legend only arrow right	9137833

